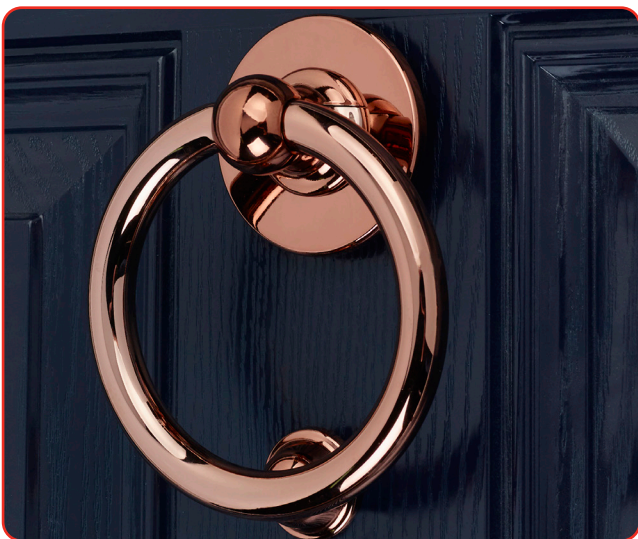


Bull Ring Knocker



Features

- **Patented face fixing plate works with all major door materials**
Easy installation; no need to use fixing bolts or to drill through the door
- **Heritage design**
Create an elegant finish to a heritage style door
- **Suitable for Timber, Composite and PVCu doors**
Fully suites to our Perfectly Matching range of hardware



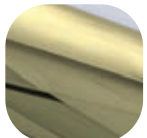
Hardex Chrome



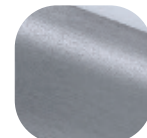
Hardex Pewter



Hardex Bronze



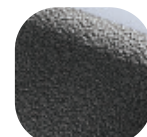
Hardex Gold



Hardex Graphite



Hardex Rose



Antique Black



Forged Black



Black

Bull Ring Knocker

Ordering Details

Product

Bull Ring Knocker

Finish	Part No.
Hardex Chrome	4A600
Hardex Gold	4A602
Hardex Bronze	4A601
Hardex Graphite	4A604
Hardex Pewter	4A606
Hardex Rose	DFNKNBRHR
Antique Black	4A603
Forged Black	4A607
Black	4A605

Technical Information

Corrosion resistance

Meets the requirements of BS EN 1670:2007 Grade 5 (480 hours)

Material Specification

Knocker:	High quality Zinc
Coatings:	Hardex Chrome, Hardex Gold, Hardex Bronze, Hardex Graphite, Hardex Pewter, Hardex Rose, Antique Black, Black and Forged Black.

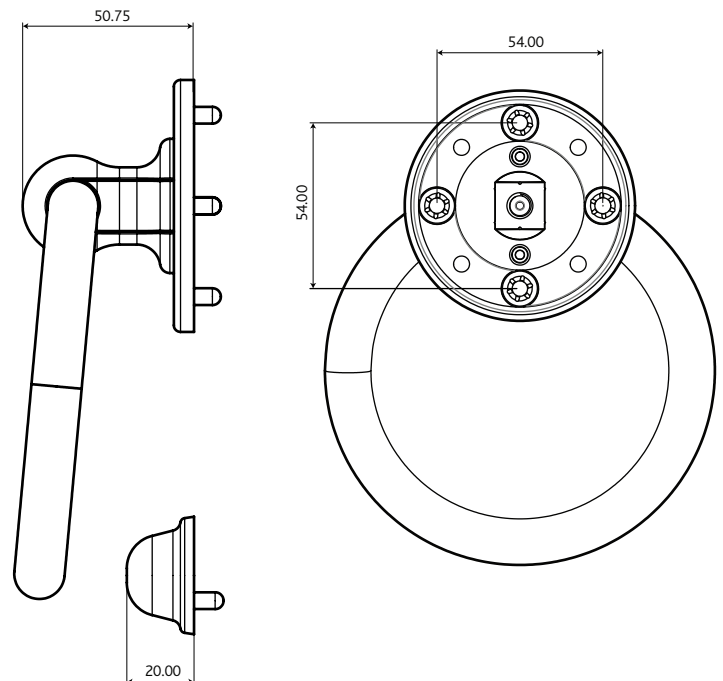
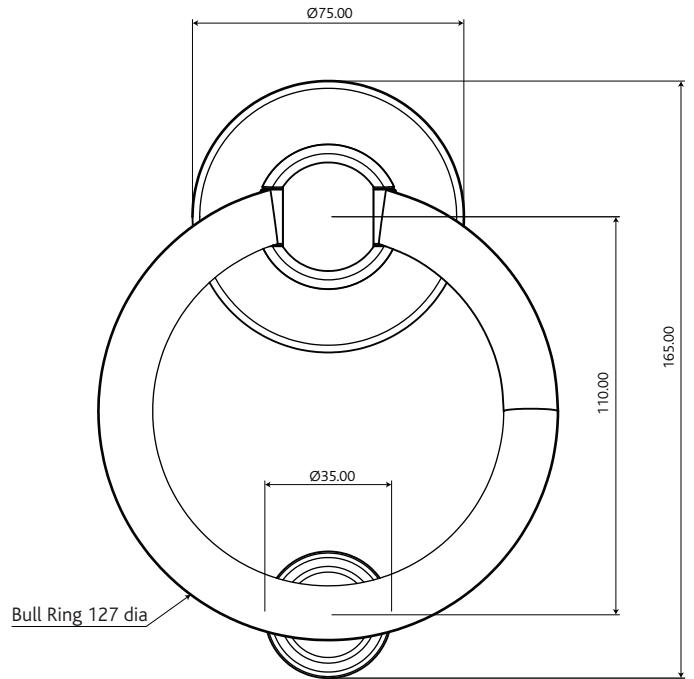
Maintenance

For continued protection of the quality finish and appearance, Fab&Fix advise routine cleaning of all our external hardware. Moving parts should also be lightly lubricated at least twice a year. This procedure is particularly essential if products are used within a 25-mile radius of coastal areas or close proximity to building sites or large industrial areas, where more frequent cleaning may be required to prevent the accumulation of corrosive contaminants.

Packaging

Bull Ring Knocker

Individually boxed with fixing bracket and care instructions. 20 knockers in an outer box.



All dimensions are in mm and are nominal.
 Fab&Fix reserves the right to change specification without notice.
 It is the responsibility of the door manufacturer to ensure that the finished product meets any required safety and performance specification.