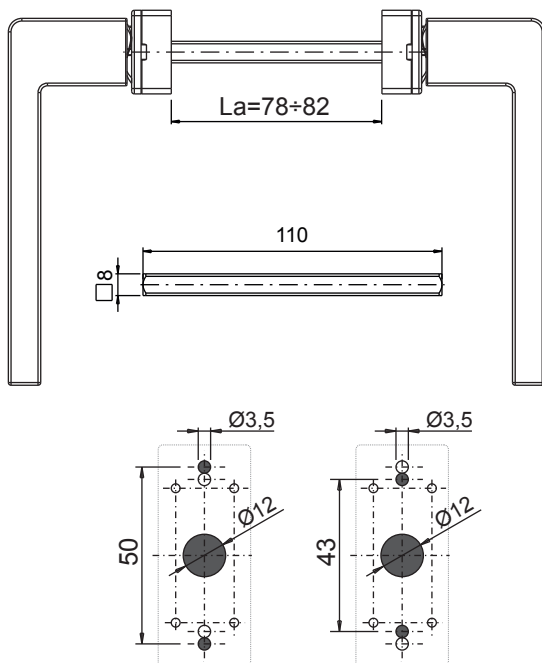


Kora

Features

- Reversible door handles for fitting on the upright or centre rail of a door
- Comprises of a case, plate and rotor which, combined with a return spring, enables reversible operation and horizontal positioning of the handle
- Base versions requires a special tool for assembly
- Instant access to the fixing screws by simply rotating the plate cover
- 43mm (European market) and 50mm positions enables the handle to be fitted on the majority of profiles and fixes quick and easy to the profile with self-tapping screws
- Rotor is equipped with a mechanical stop that safeguards the end stroke of the spring, preventing damage and consequent breakage, in case of incorrect operation
- 110mm square spindle for use 78mm - 82mm profiles (without cutting the pin)
- Manufactured from high quality aluminium and coated with Giesse's special painting system, guarantees excellent mechanical performance with a robust finish for lasting protection



All dimensions are in mm and are nominal.
Giesse reserves the right to change specification without notice.
It is the responsibility of the manufacturer to ensure that the finished product meets any required safety and performance specification.

Ordering Details

Product

Kora

Finish

Part No.

Base Painting	G02563005
White (RAL 9010)	G02563410
Black (RAL 9005)	G02563500

Material Specification

Handle Grip:	Die-cast Aluminium
Rotor, Plate and Plate Cover:	Zamak
Self-forming Screw	Zinc-plated Steel
Compression Spring:	Stainless Steel
Spring:	Steel
Square pin:	8mm x 8mm x 100mm Zinc-plated Steel
Shim Washer:	Acetal

Maintenance

All handles should be lightly lubricated twice a year and the surface cleaned with a soft damp cloth to remove any dust or grime, taking care not to scratch the surface finish.

Packaging

Handles

5 handles per box. 1x Fixing plate, 2x HSHC Screw M5x14