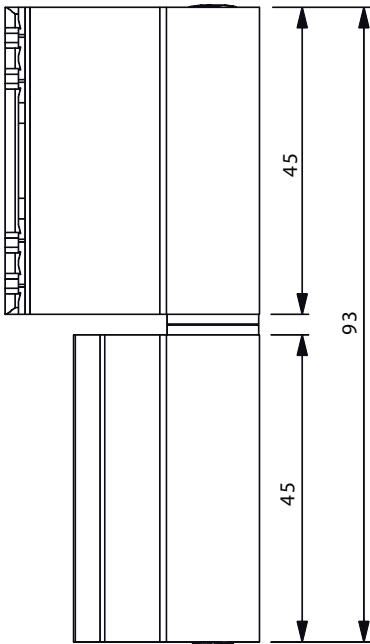


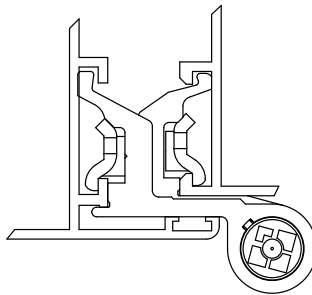
Flash Base Hinge

Features

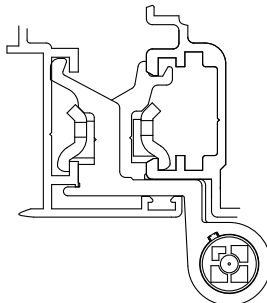
- Two-handed hinge for inward opening aluminium casement windows with central gasket seal
- Supplied pre-assembled to enable fast installation, but handing can be changed with the hinge pin
- Special shape of fixing plate fitted to the sash guarantees the firmest possible attachment of the hinge to the profile
- Quick to fit on both the sash and frame
- Design of the hinge and the plate enables swift and simple application to an already assembled fixture and accurate positioning of the hinge when fixing
- Solutions available to suit most aluminium profiles



Side profile cross-section



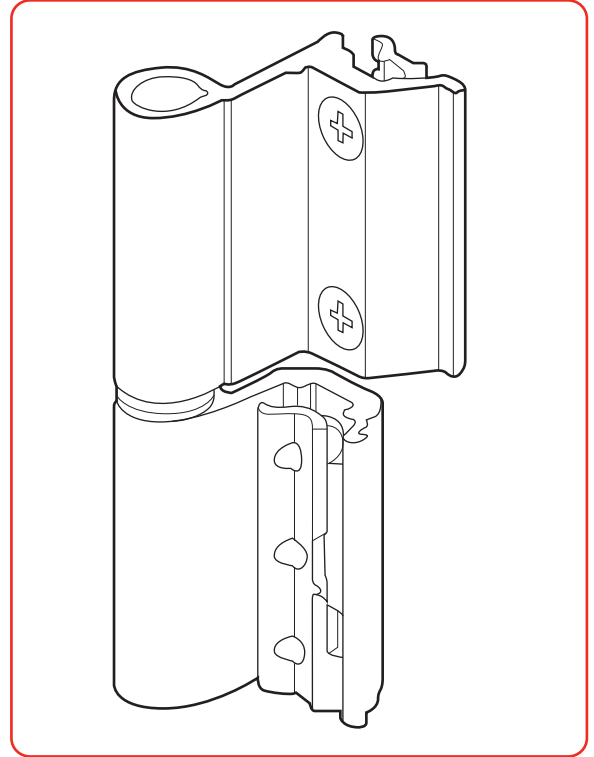
Third sash cross-section



All dimensions are in mm and are nominal.

Giesse reserves the right to change specification without notice.

It is the responsibility of the manufacturer to ensure that the finished product meets any required safety and performance specification.



Ordering Details

Product

Flash Base (suitable for profile C001)

Finish

Part No.

Base Painting	G00120005U
Silver Oxidation	G00120020U
Black (RAL 9005)	G00120500U

Please contact the sales office for part numbers suitable for other aluminium profiles

Technical Information

Operation

Durability test to 200,000 cycles, Grade 7 (complies with EN 1935)

Performance

00120, 00122, 00123, 00128 and 00259 certified to EN1935:2002

Max Weight Per Door

2 Hinges - 75kg

3 Hinges - 85kg

Assuming fixtures of 2000mm height and 1000mm width

Adjustment

Lateral 2.5mm

Material Specification

Hinge Body	Aluminium
Pin, Screws and Fixings	Stainless Steel
Bushes	Polyamide

Packaging

Hinges

20 per box