

Sash Knobs



Features

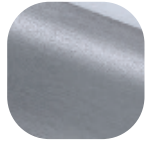
- Sturdy feel**
 Solid die cast zinc construction
- Easy to grip**
 Sculptured ergonomic design
- Wide choice**
 Available in Classic, Heritage and Architectural Bottom Sash Knobs to suit with the High Security Cam Lock and a anodised Top Sash Knob
- Perfectly matching hardware**
 Supplied with colour coordinated screws that perfectly matches to the Sash Pull Handle
- Designed for PVCu, Timber and Aluminium sliding windows**
 To suit all window materials, we have a range of different keeps to suit specific profiles
- Available in the complete range of Hardex finishes**
 Perfectly matching to the full Fab&Fix range of products



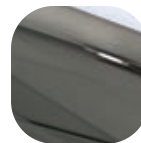
Hardex
Chrome



Hardex
Satin



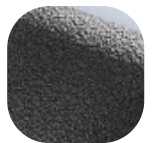
Hardex
Graphite



Hardex
Bronze



Hardex
Gold



Antique
Black



Hardex
Pewter



White



Black

Sash Knobs

Ordering Details

Bottom Sash Knob		Part No.	
Finish	Classic	Heritage	Architectural
Hardex Chrome	VHSKCHC01A	VHSKHHC01A	VHSAHC01A
Hardex Bronze	VHSKCHB01A	VHSKHHB01A	VHSAHB01A
Hardex Gold	VHSKCHG01A	VHSKHGG01A	VHSAHG01A
Hardex Graphite	VHSKCGR01A	VHSKHGR01A	VHSAGR01A
Hardex Satin	VHSKCSA01A	VHSKHTSA01A	VHSAKA01A
Hardex Pewter	VHSKCPT01	VHSKHPT01	VHSAKPT01
Antique Black	VHSKCA01A	VHSKHAB01A	VHSAAB01A
White	VHSKCWH01A	VHSKHWH01A	VHSAWH01A
Black	VHSKCBK01A	VHSKHBK01A	VHSAKB01A

Top Sash Knob

Finish	
Top Sash Knob Satin Anodised	BF-KNB-ANN00

Technical Information

Corrosion Resistance

Meets the requirements of BS EN 1670:2007 Grade 5 (480 hours)

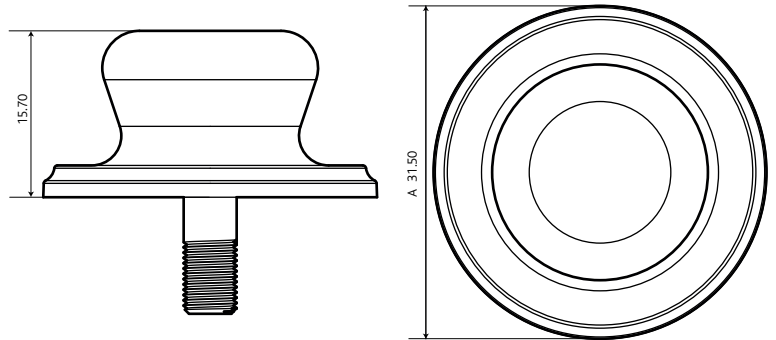
Material Specification

Bottom Sash Knob:	Zinc Die Cast
Coatings:	Hardex Chrome, Hardex Bronze, Hardex Gold, Hardex Graphite, Hardex Satin, Hardex Pewter, Antique Black, White and Black.

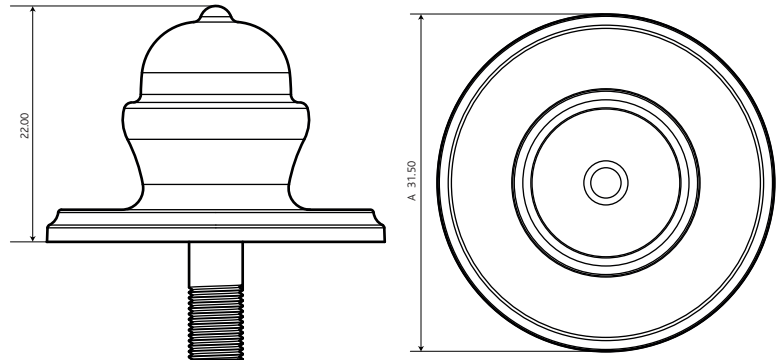
Packaging

Sash Knob: Individually bagged, 100 per box

Classic



Heritage



Architectural

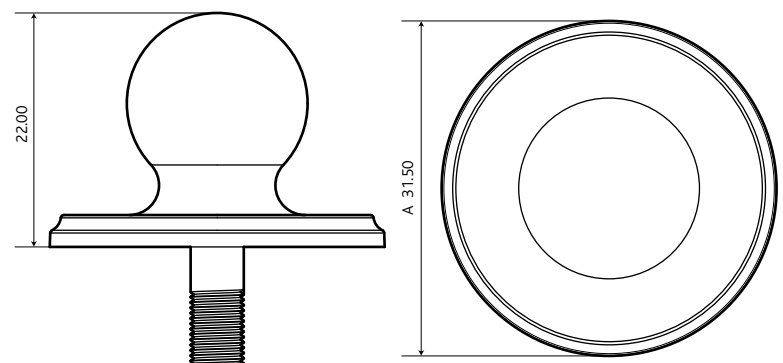


Diagram not to scale.

All dimensions are in mm and are nominal.

Fab&Fix reserves the right to change specification without notice. It is the responsibility of the window manufacturer to ensure that the finished product meets any required safety and performance specification.