

Inline and Offset Sash Eye



Features

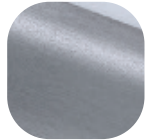
- Sturdy feel**
 Solid die cast zinc construction
- Easy to grip**
 Sculptured ergonomic design
- Wide choice**
 Available in inline and offset designs
- Perfectly matching hardware**
 Supplied with colour coordinated screws that perfectly matches to the Sash Eye
- Designed for PVCu, Timber and Aluminium sliding windows**
 To suit all window materials, we have a range of different keeps to suit specific profiles
- Available in the complete range of Hardex finishes**
 Perfectly matching to the full Fab&Fix range of products



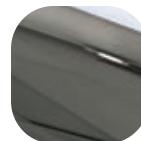
Hardex
Chrome



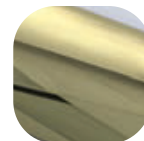
Hardex
Satin



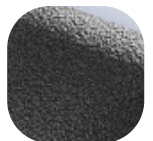
Hardex
Graphite



Hardex
Bronze



Hardex
Gold



Antique
Black



Hardex
Pewter



White



Black

Inline and Offset Sash Eye

Ordering Details

Product	Part No.	
Finish	Inline	Offset
Hardex Chrome	VHSEHC01	VHOSHC01
Hardex Bronze	VHSEHB01	VHOSHB01
Hardex Gold	VHSEHG01	VHOSHG01
Hardex Graphite	VHSEGR01	VHOSGR01
Hardex Satin	VHSESA01	VHOSSA01
Hardex Pewter	VHSEPT01	VHOSPT01
Antique Black	VHSEAB01	VHOSAB01
White	VHSEWH01	VHOSWH01
Black	VHSEBK01	VHOSBK01

Technical Information

Corrosion Resistance

Meets the requirements of BS EN 1670:2007 Grade 5 (480 hours)

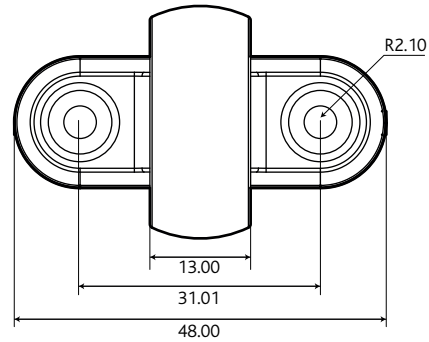
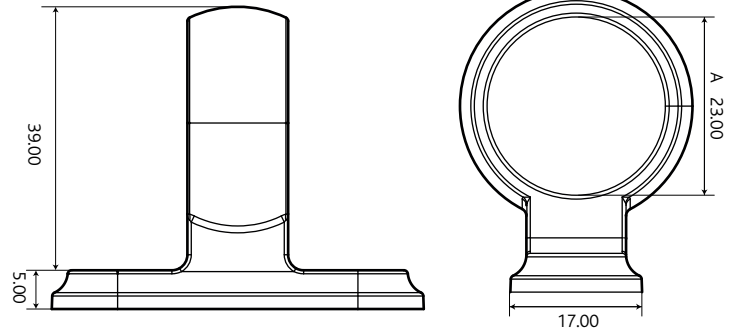
Material Specification

Sash Eye:	Zinc Die Cast
Coatings:	Hardex Chrome, Hardex Bronze, Hardex Gold, Hardex Satin, Hardex Pewter, Antique Black, Hardex Graphite, White and Black.

Packaging

Sash Eye: Individually bagged, 100 per box

Inline



Offset

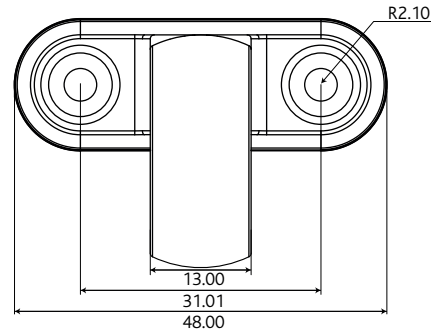
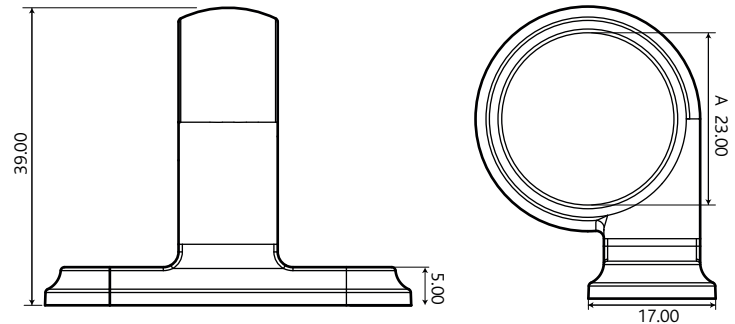


Diagram not to scale.

All dimensions are in mm and are nominal.

Fab&Fix reserves the right to change specification without notice. It is the responsibility of the window manufacturer to ensure that the finished product meets any required safety and performance specification.